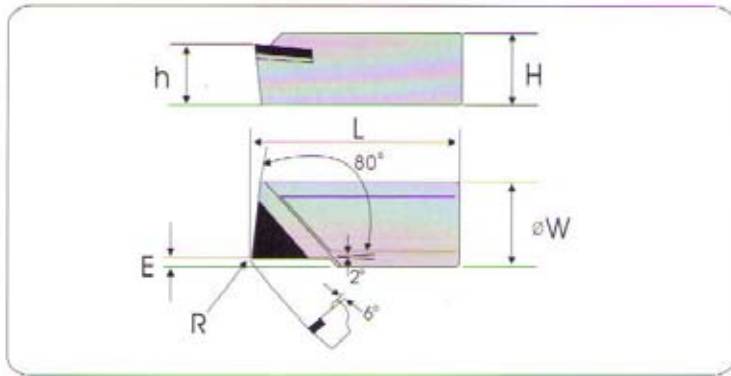
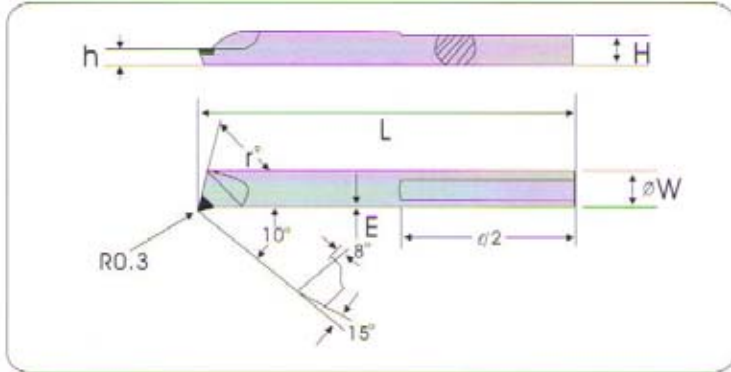


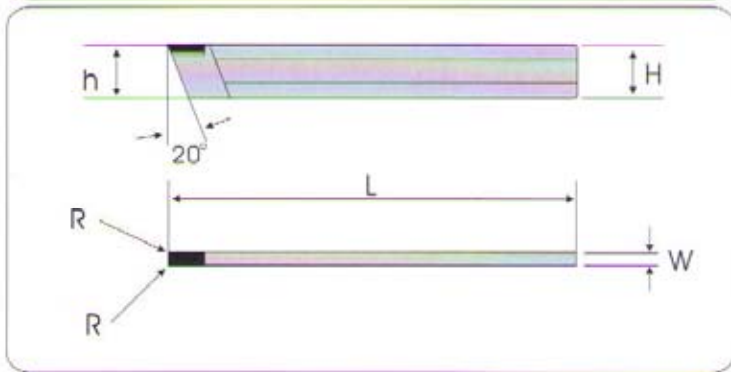
PCD、PCBN 刀具系列 PCD、PCBN cutting tools demonstrate



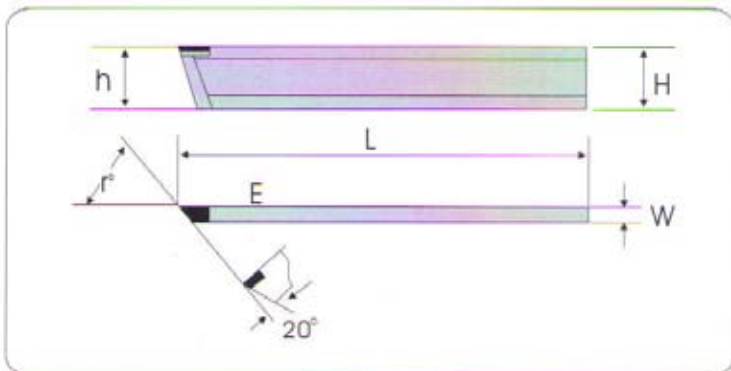
刀具型号Designation		刀片参数Dimensions (mm)					
右手刀	左手刀	W	H	L	H	E	R
YX13-01	YX14-01	3	2.5	10	2.5	0.5	0.2
YX13-02	YX14-02	4	3.5	15	3	0.5	0.2
YX13-03	YX14-03	5	4.5	15	4	1.0	0.2
YX13-04	YX14-04	6	5.2	20	4.5	1.0	0.4
YX13-05	YX14-05	8	7	30	5.5	1.0	0.4
YX13-06	YX14-06	10	9	35	6.5	2.0	0.4
YX13-07	YX14-07	12	11	40	8	2.0	0.4
YX13-08	YX14-08	12	11	40	8	6.0	0.8



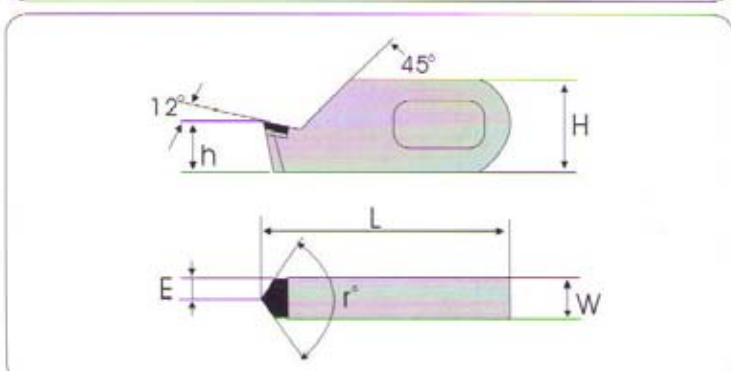
刀具型号Designation		刀片参数Dimensions (mm)					
右手刀	左手刀	W	H	L	H	E	r°
YX19-01	YX20-01	10	9	100	5	0.5	60
YX19-02	YX20-02	10	9	100	5	0.5	80
YX19-03	YX20-03	10	9	100	5	0.5	90
YX19-04	YX20-04	12	11	120	6	0.8	60
YX19-05	YX20-05	12	11	120	6	0.8	80
YX19-06	YX20-06	12	11	120	6	0.8	90
YX19-07	YX20-07	16	14	160	8	1.0	60
YX19-08	YX20-08	16	14	160	8	1.0	80



刀具型号Designation		刀片参数Dimensions (mm)					
左右手刀	W	H	L	H	E	R	
YX16-01	1.0	10	80	10	/	0.2	
YX16-02	1.2						
YX16-03	1.5						
YX16-04	2.0						
YX16-05	2.5						
YX16-06	3.0						
YX16-07	3.5						
YX16-08	4.0						



刀具型号Designation		刀片参数Dimensions (mm)													
右手刀	左手刀	W	H	L	H	E	r°								
YX17-01	YX18-01	2.5	10	80	10	/	60								
YX17-02	YX18-02						80								
YX17-03	YX18-03						90								
YX17-04	YX18-04	3.1					10	80	10	/	60				
YX17-05	YX18-05										80				
YX17-06	YX18-06	4.0									10	80	10	/	90
YX17-07	YX18-07														60
YX17-08	YX18-08														60



刀具型号Designation		刀片参数Dimensions (mm)								
左右手刀	W	H	L	H	E	r°				
YX15-01	5	12	33	6	2.5	90				
YX15-01						120				
YX15-01						130				
YX15-01						135				
YX15-01				11		12	33	6	2.5	140
YX15-01										120
YX15-01										130
YX15-01										160